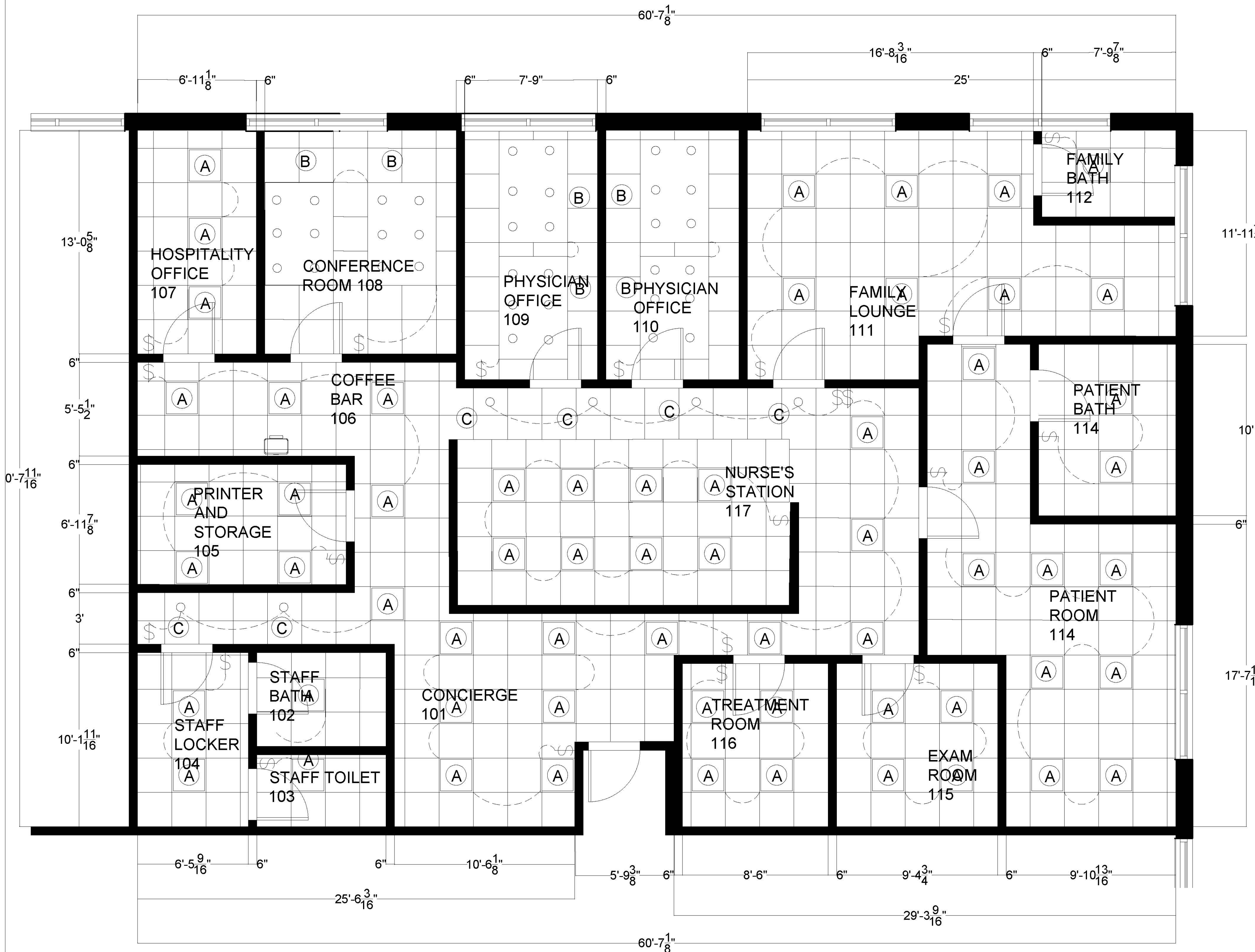
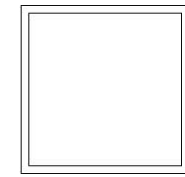


CHILDREN'S HOSPITAL OF WISCONSIN REMODEL
ELEVATION

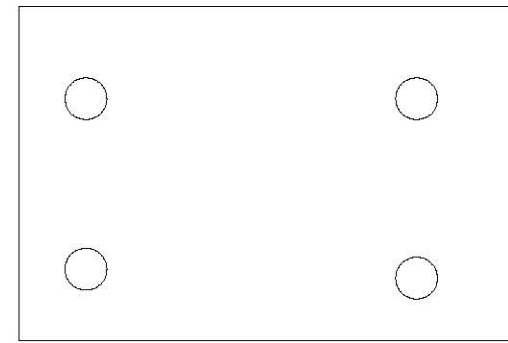


CHILDREN'S HOSPITAL OF WISCONSIN REMODEL
ELEVATION

LIGHTING LEGEND

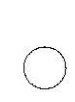


A 24"x 24" CALLA RECESSED FIXTURE



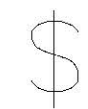
4' X 6' RECESSED FIXTURE

B



C

6" RECESSED DOWN LIGHT



SWITCH

VOICE/DATA/POWER LEGEND



TELEPHONE OUTLET



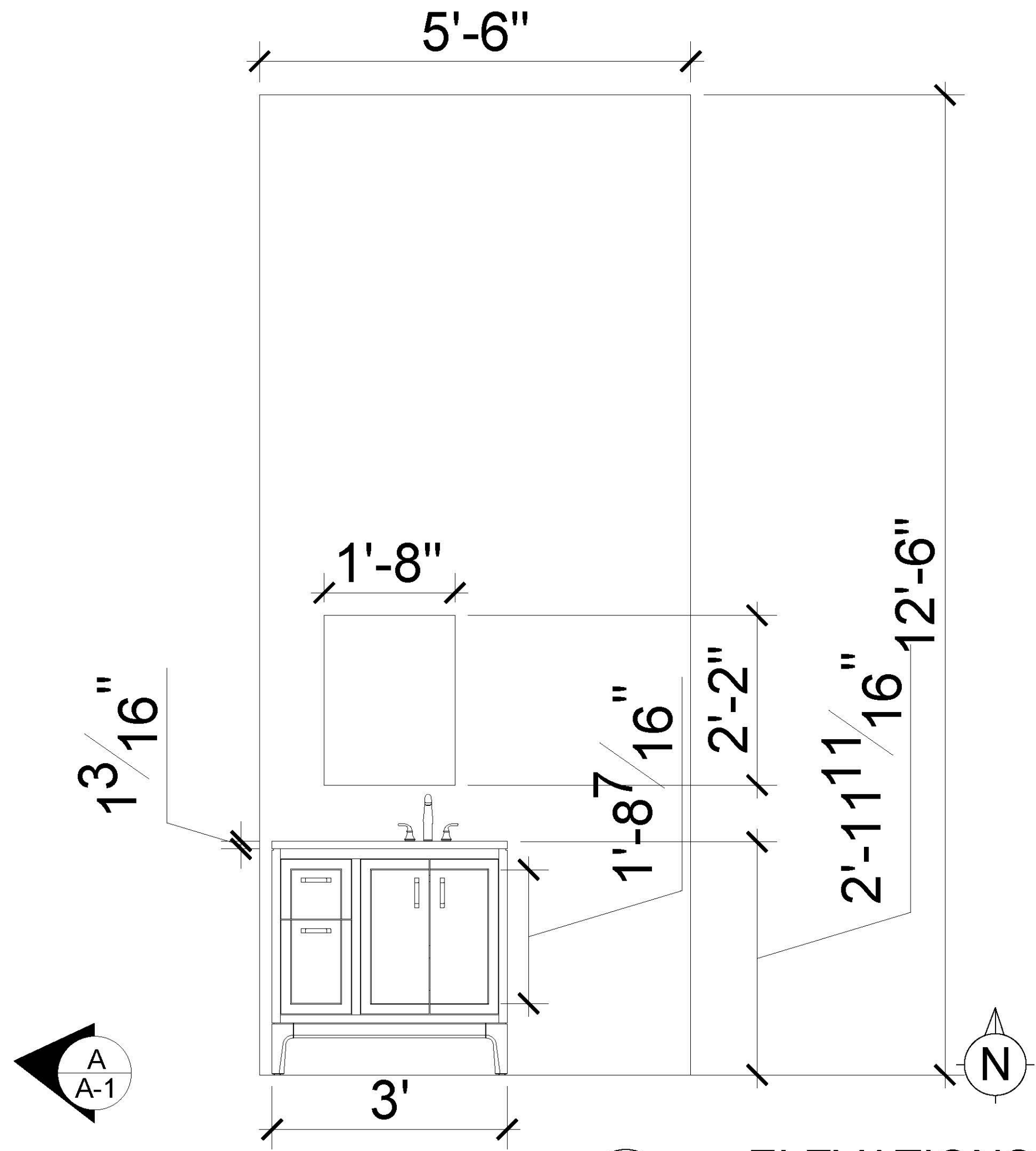
DATA OUTLET



FLOOR TELEPHONE OUTLET

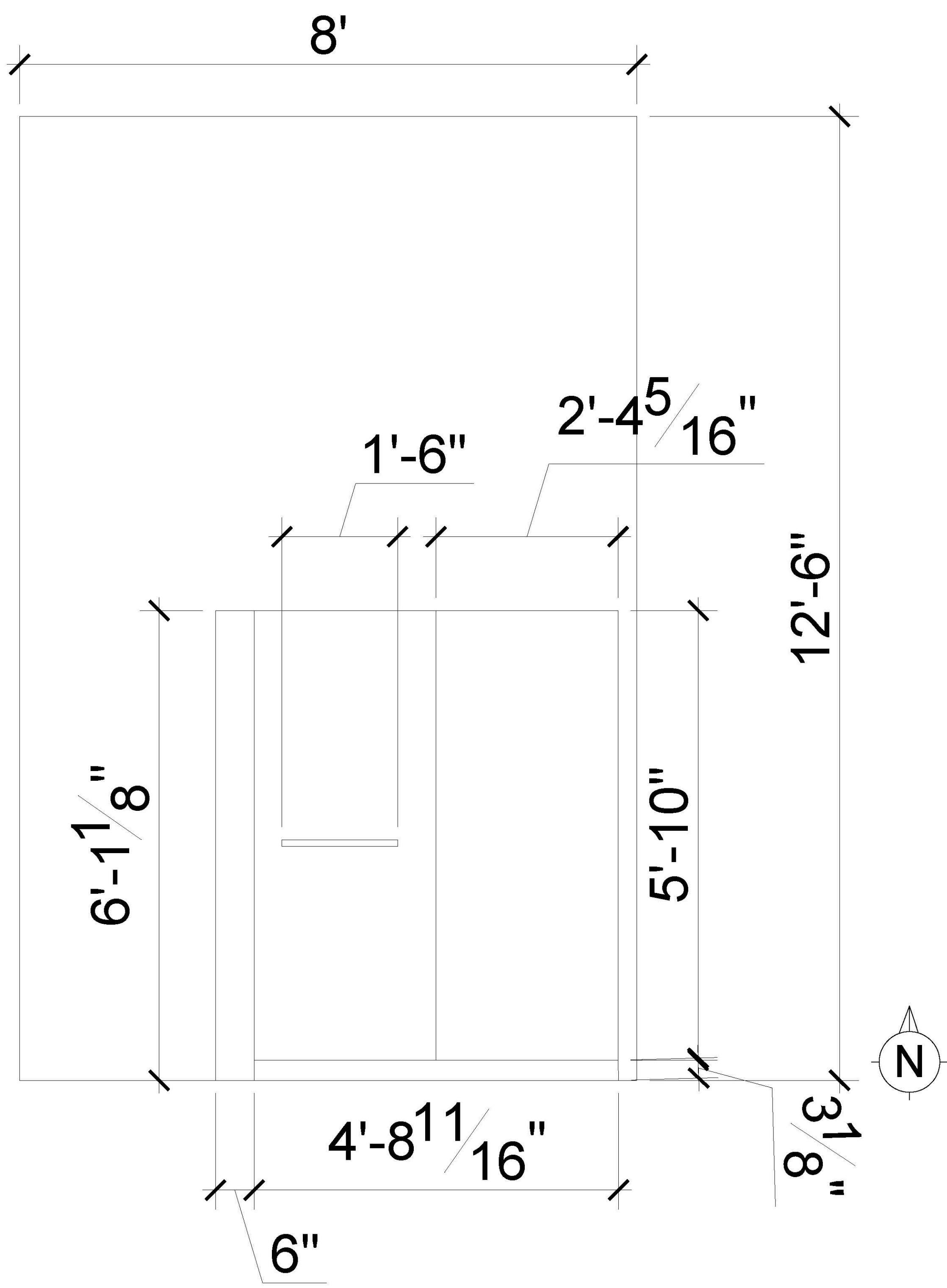
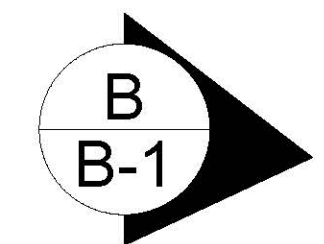


CHILDREN'S HOSPITAL OF WISCONSIN REMODEL
ELEVATION

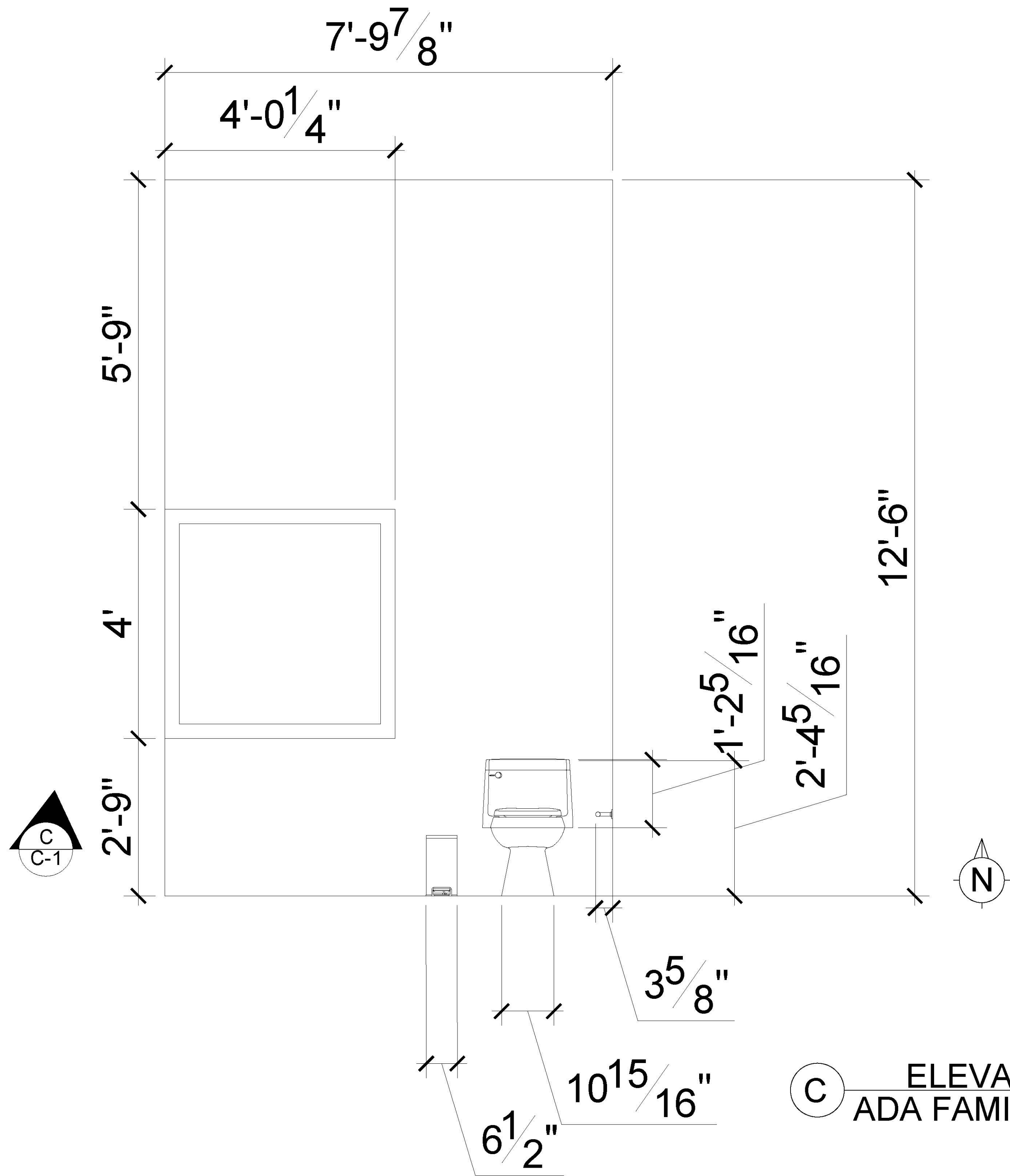


(A) ELEVATIONS
ADA PATIENT BATH

CHILDREN'S HOSPITAL OF WISCONSIN REMODEL
ELEVATION



(B) ELEVATIONS
ADA PATIENT SHOWER

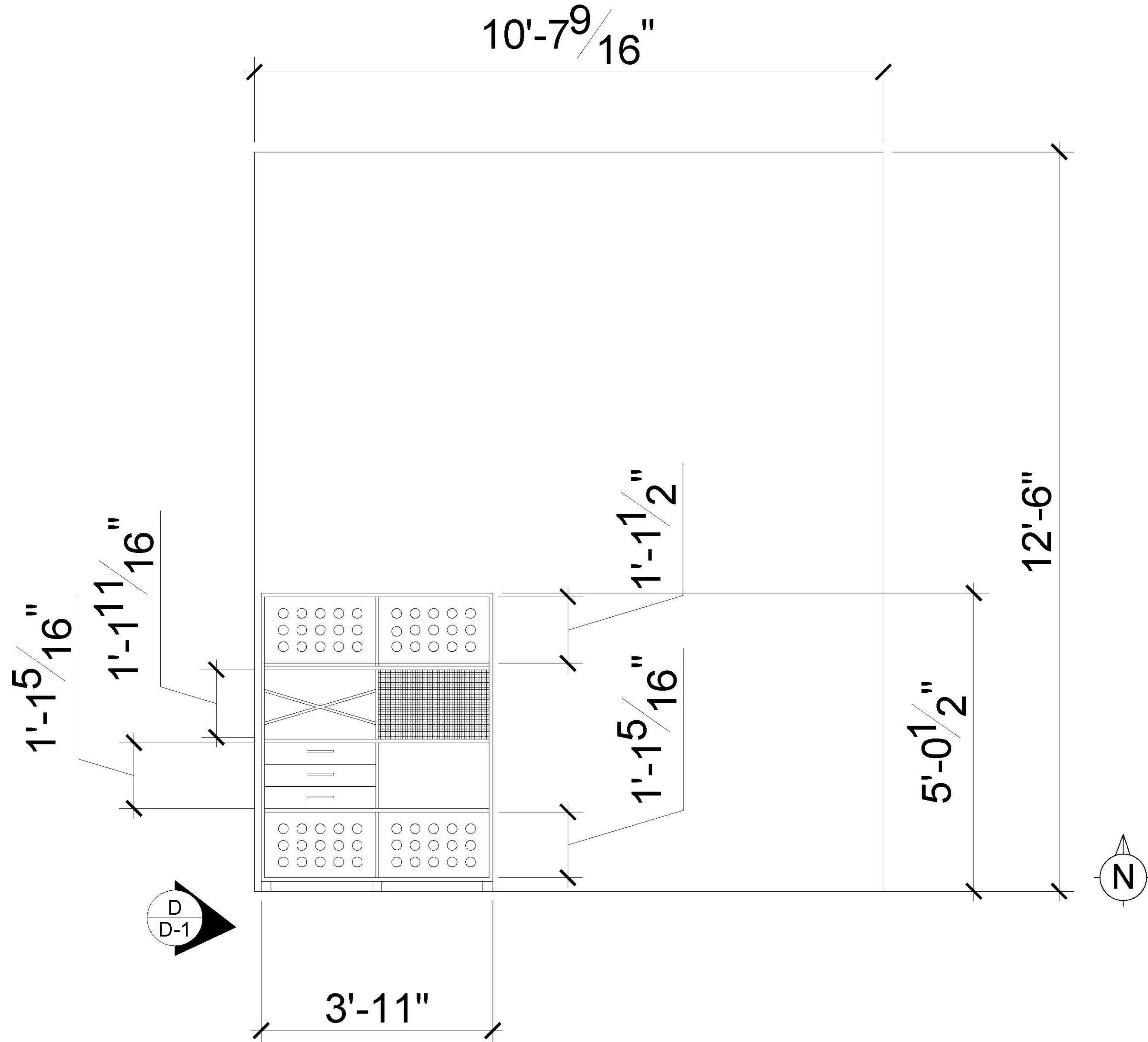


CHILDREN'S HOSPITAL OF WISCONSIN REMODEL
ELEVATION

(C) ELEVATIONS
ADA FAMILY BATH

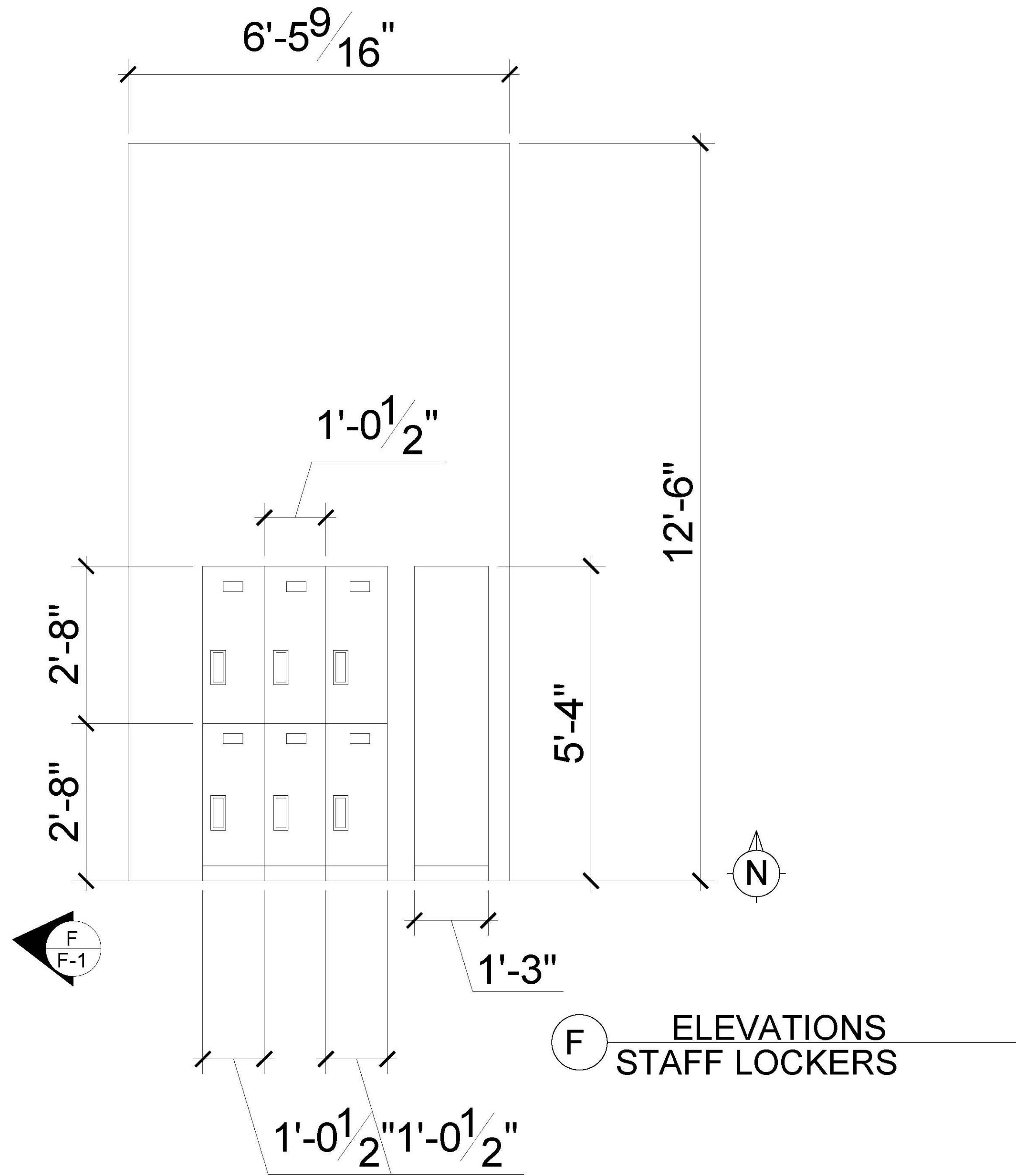
REVISION

(A5)

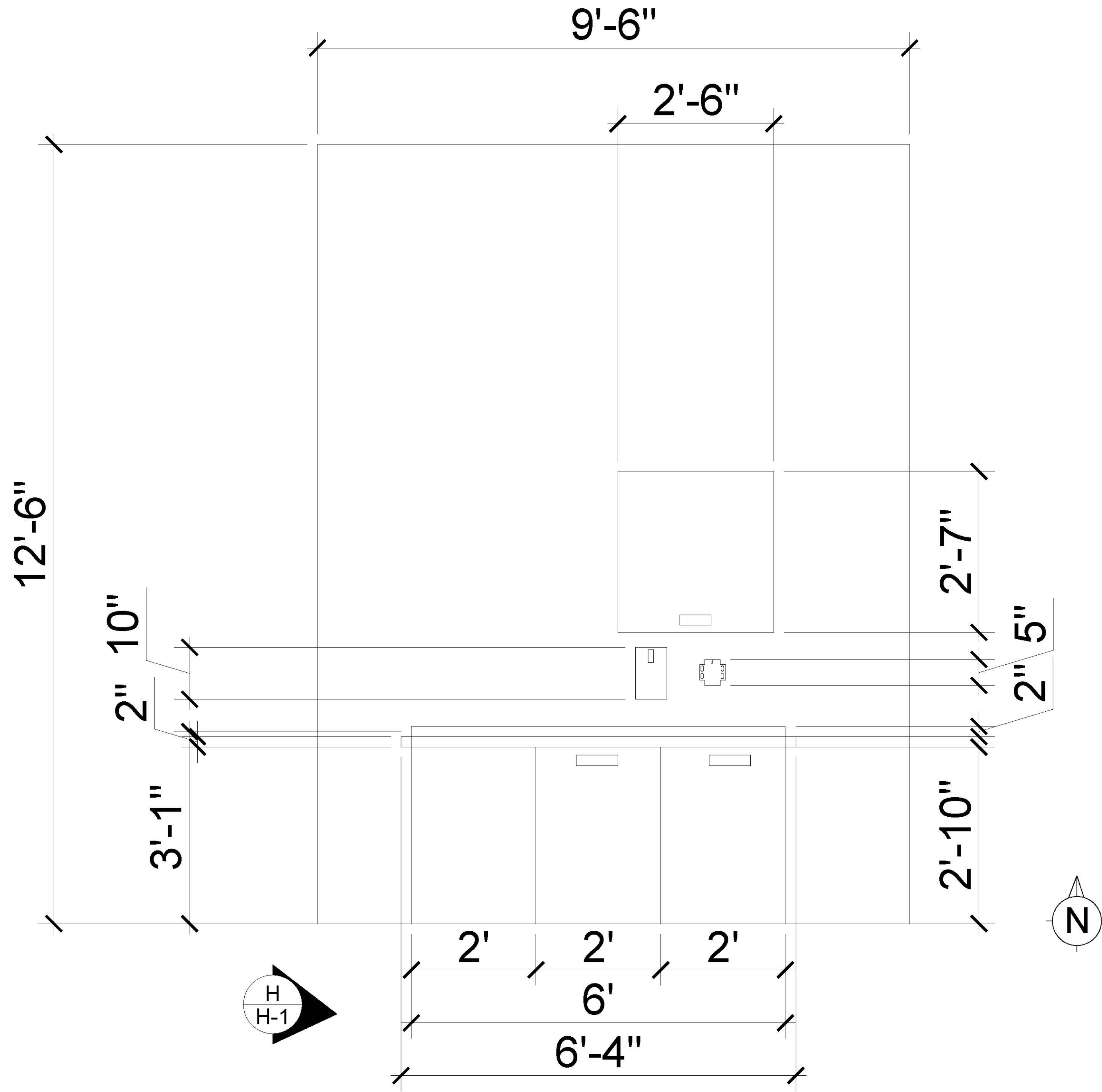


D ELEVATIONS
CONCIERGE STORAGE

CHILDREN'S HOSPITAL OF WISCONSIN REMODEL
ELEVATION



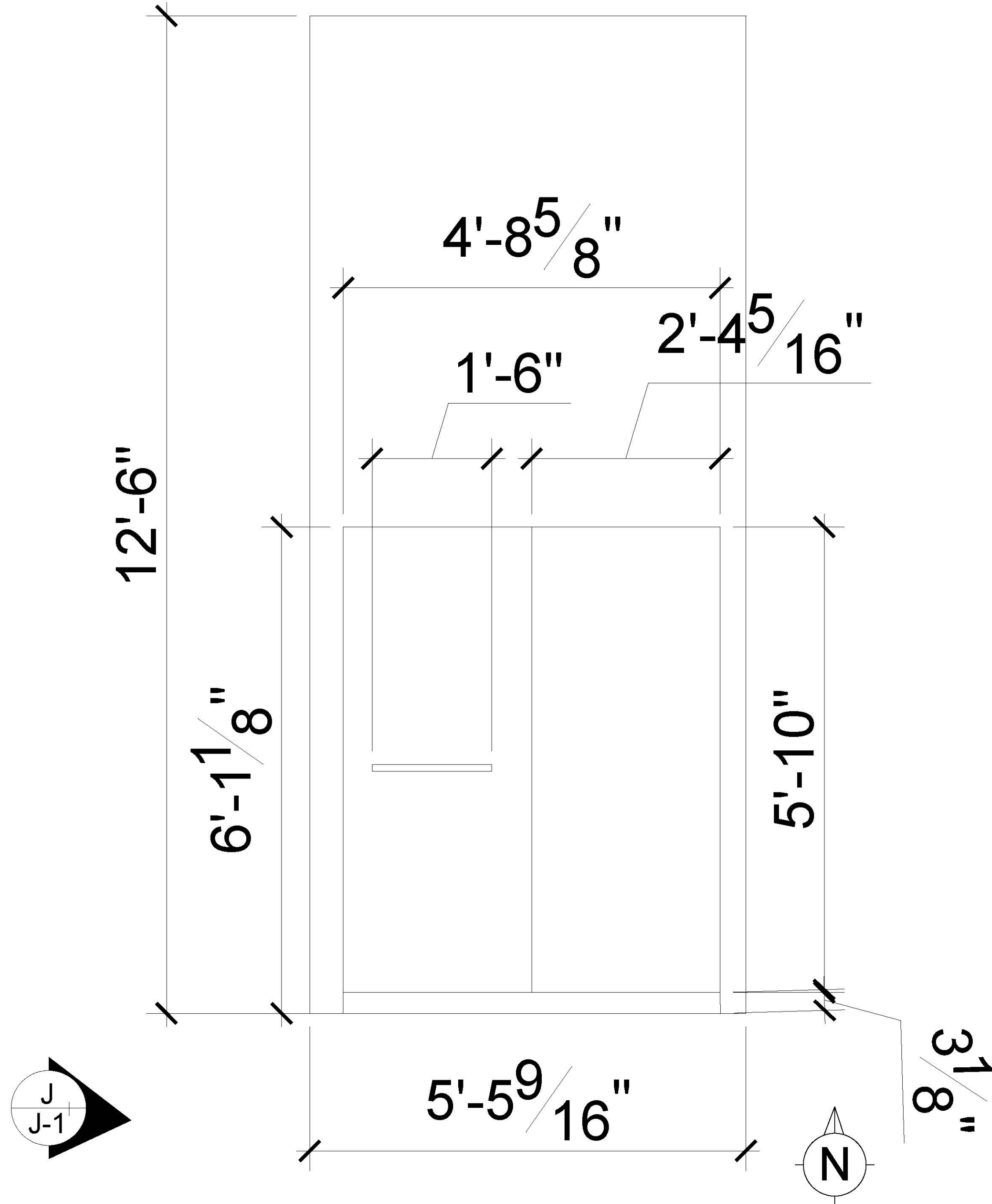
CHILDREN'S HOSPITAL OF WISCONSIN REMODEL
ELEVATION



CHILDREN'S HOSPITAL OF WISCONSIN REMODEL
ELEVATION

H ELEVATIONS
TREATMENT ROOM CASEWORK

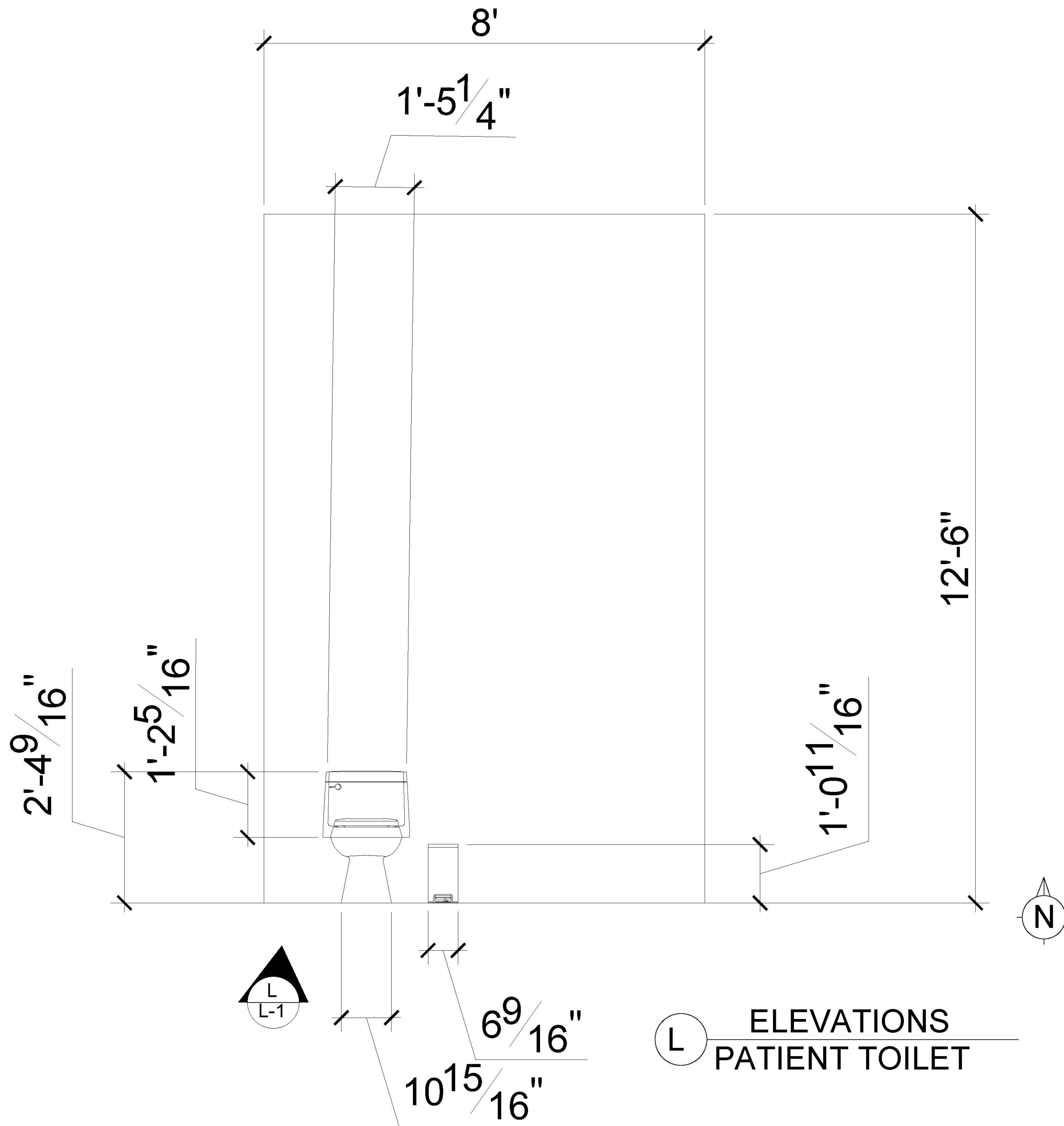
REVISION

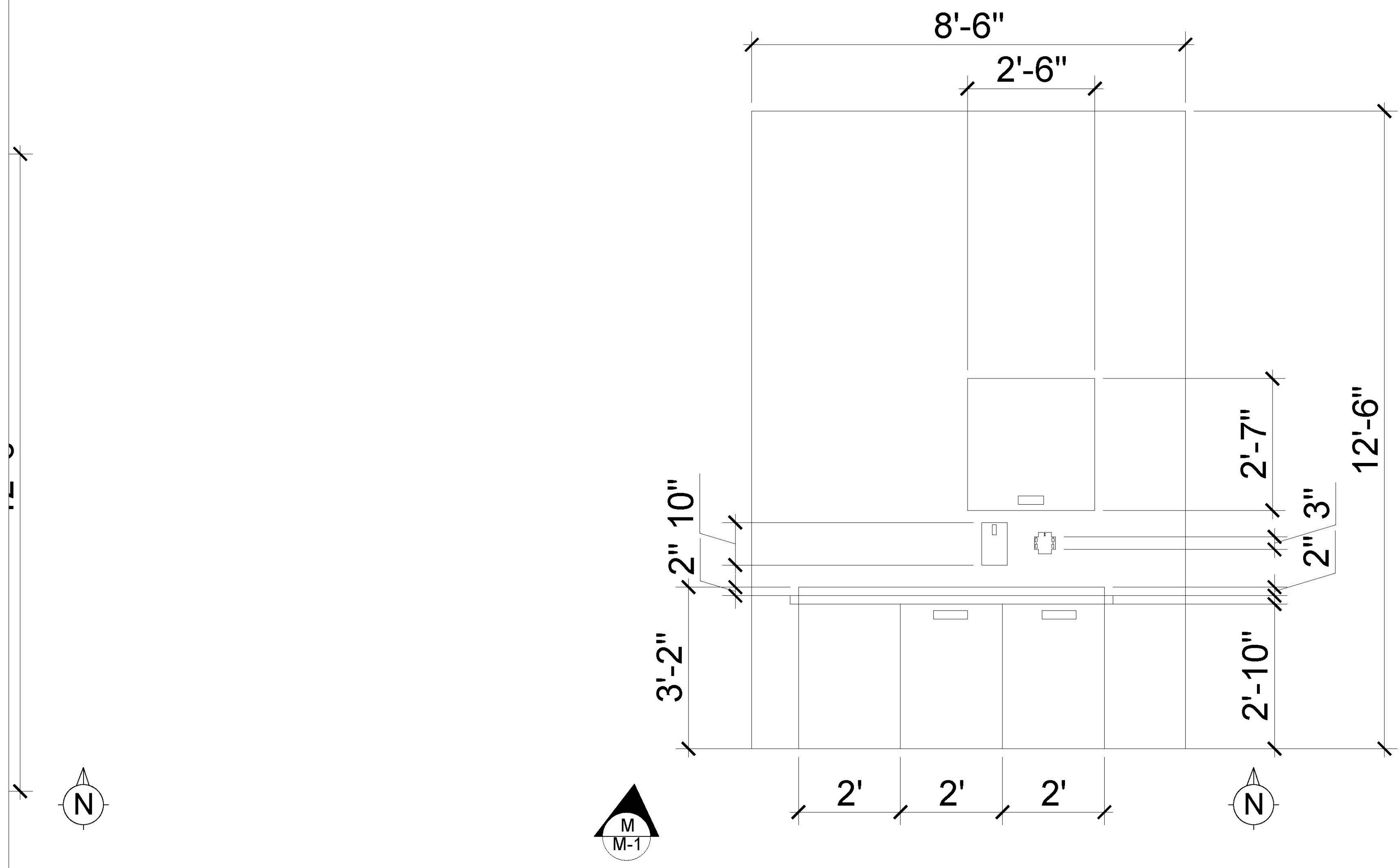


CHILDREN'S HOSPITAL OF WISCONSIN REMODEL
ELEVATION

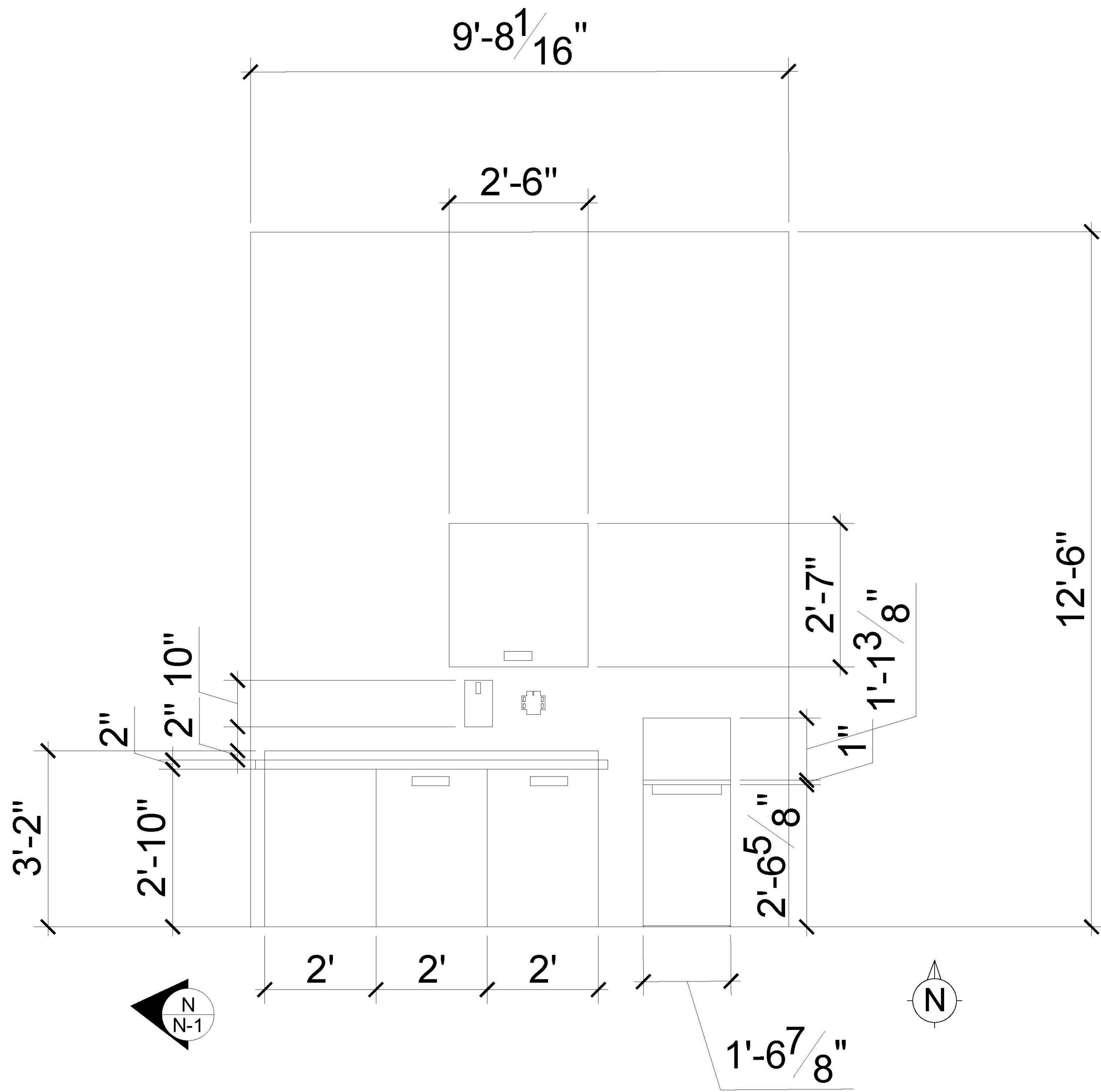
J ELEVATIONS
ADA STAFF SHOWER

CHILDREN'S HOSPITAL OF WISCONSIN REMODEL
ELEVATION





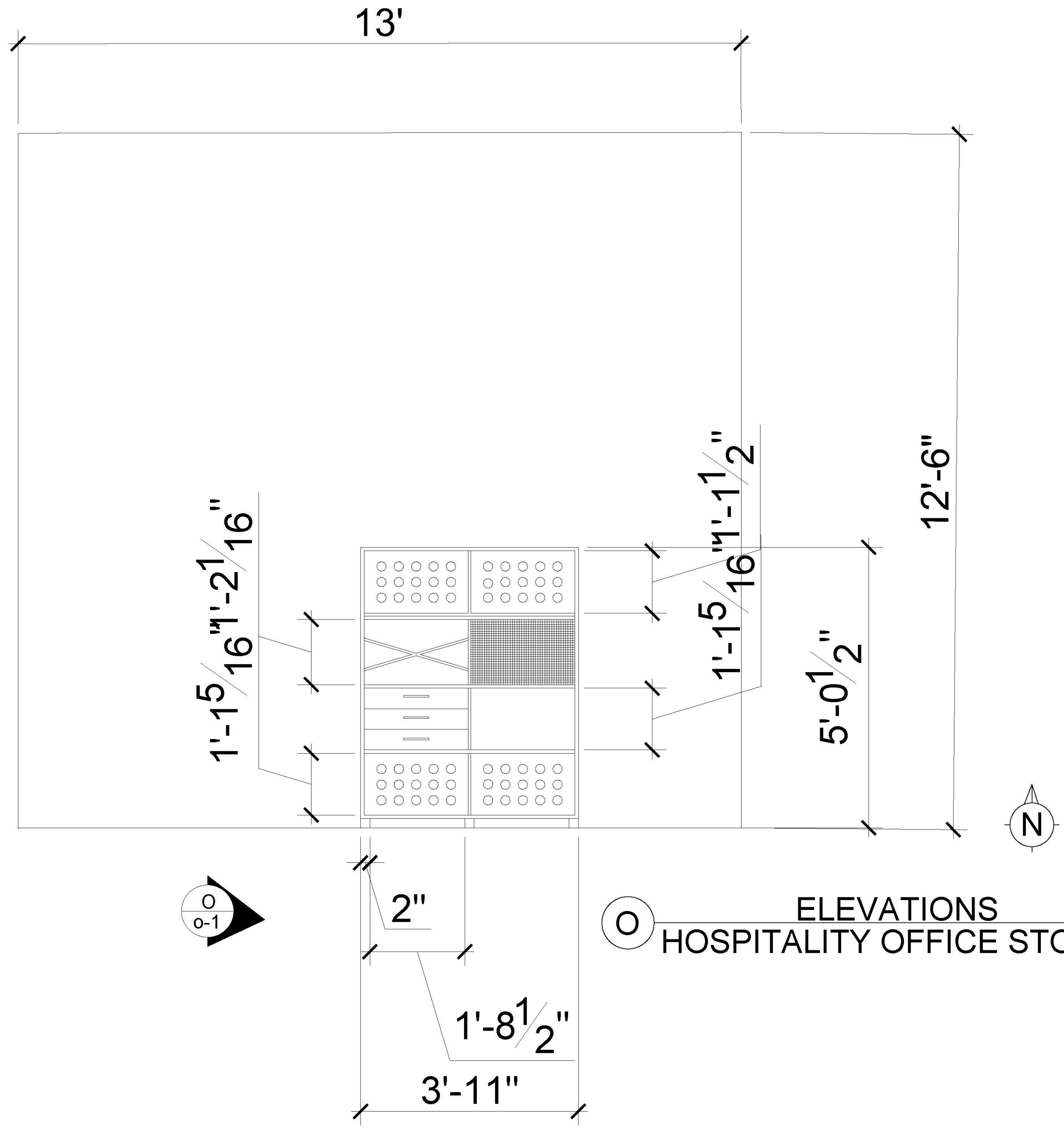
(M) ELEVATIONS
PATIENT ROOM CASEWORK



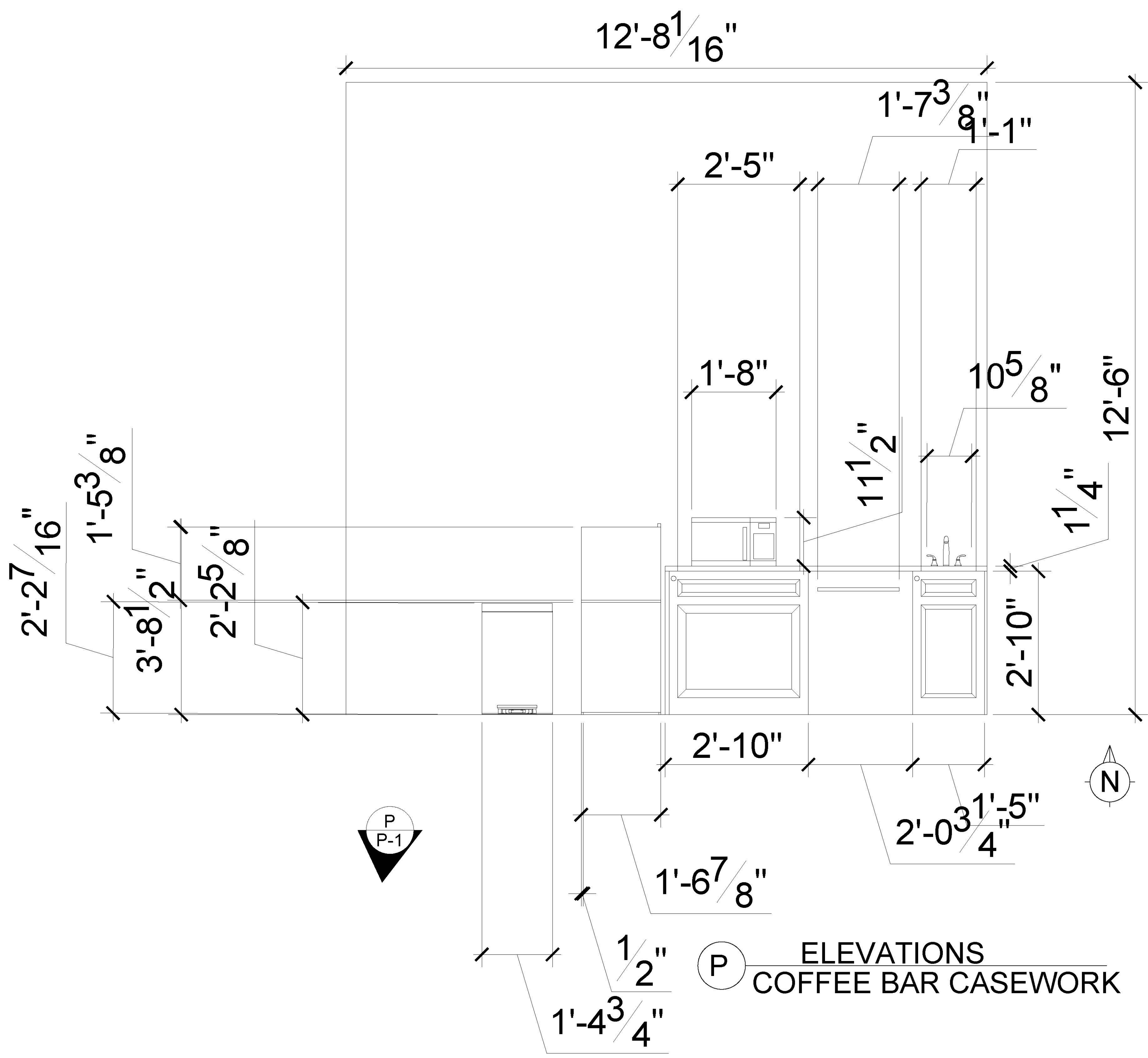
CHILDREN'S HOSPITAL OF WISCONSIN REMODEL
ELEVATION

N ELEVATIONS
NURSE'S STATION MILLWORK

REVISION



CHILDREN'S HOSPITAL OF WISCONSIN REMODEL
ELEVATION



CHILDREN'S HOSPITAL OF WISCONSIN REMODEL
ELEVATION